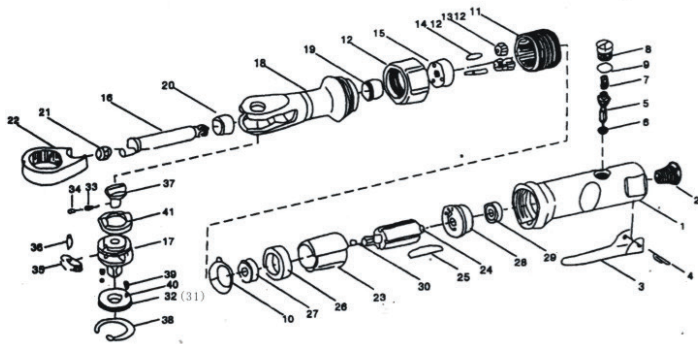


# AIR RATCHET WRENCH



No.	Description	Qty.
1	Housing	1
2	Connection Head	1
3	Trigger	1
4	Roll Pin	1
5	Valve	1
6	O-Ring	1
7	Spring	1
8	Valve Plug	1
9	O-Ring	1
10	Washer	1
11	Thread Ring Gear	1
12	Clamp Nut	1
13	Idlea Gear	3
14	Idler Gear Pin	3
15	Idler Gear Plate	1
16	Crank Shaet	1
17	Ratchet Anvil	1
18	Ratchet Housing	1
19	Bushing	1
20	Bushing	1
21	Drive Bushing	1

No.	Description	Qty.
22	Ratchet Yoke	1
23	Cylinder	1
24	Rotor	1
25	Rotor Blade	1
26	Front Plate	1
27	Front Bearing	1
28	Real Plate	1
29	Real Bearing	1
30	Cylinder Pin	1
31	Thrust Washer(3/8 <sup>th</sup> )	1
32	Thrust Washer(1/2 <sup>th</sup> )	1
33	Sring	1
34	Lock Pin	1
35	Ratchet Pawl	1
36	Pin	1
37	Reverse Button	1
38	Retainer Ring	1
39	Spring	1
40	Steel Ball	1
41	Washer	1
42		